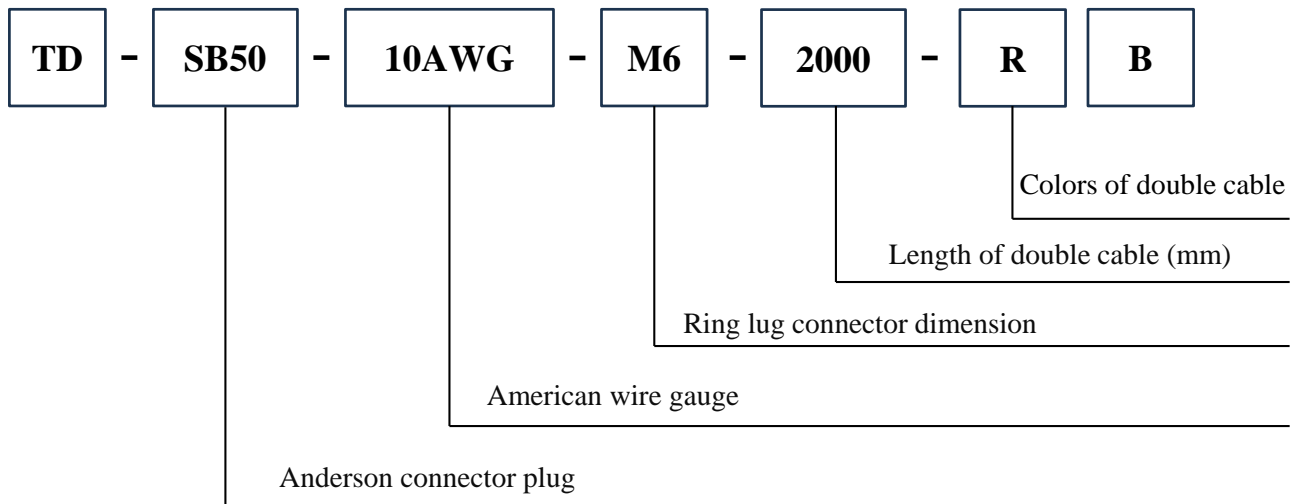


ANDERSON CONNECTOR LEAD

ODERING CODE



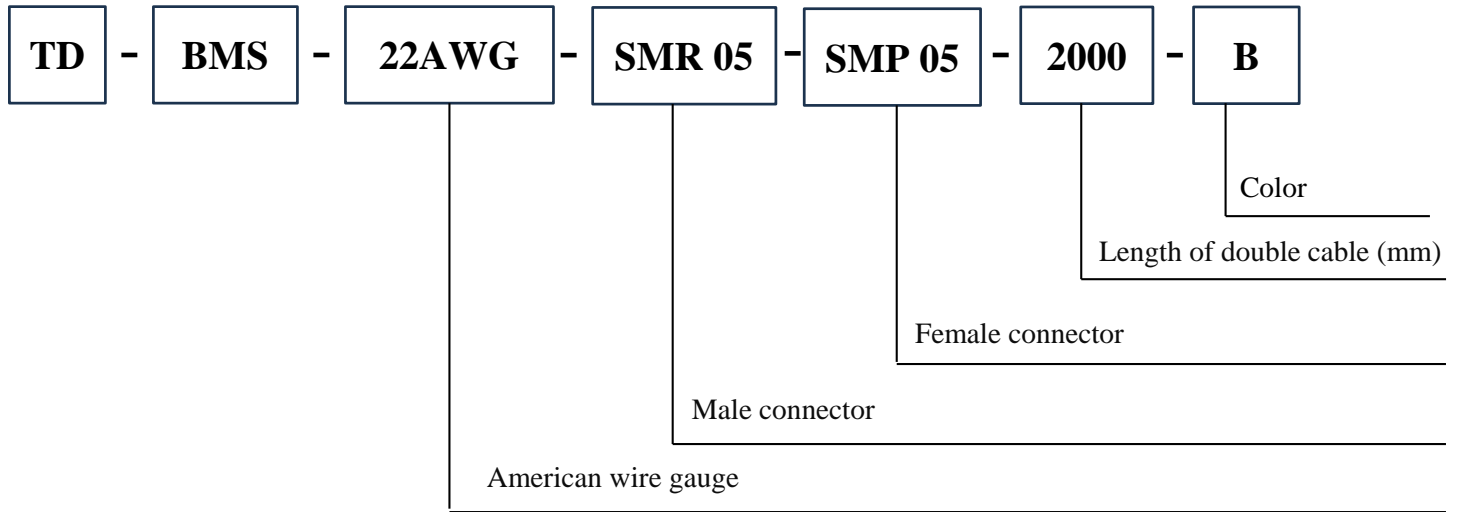
Example

Model	Anderson connector	Max load current	Operating current	AWG	Ring lug size	Length
TD-SB50-10AWG-M6-2000-RB	SB50A	50A	30A	10AWG	M4	2000mm
TD-SB50-7AWG-M8-2000-RB	SB50A	50A	40A	7 AWG	M8	2000mm
TD-SB120-4AWG-M6-2500-RB	SB120A	120A	80A	4 AWG	M6	2500mm
TD-SB120-4AWG-M8-2500-RB	SB120A	120A	80A	4 AWG	M8	2500mm
TD-SB175-2AWG-M6-3000-RB	SB175	175A	120A	2AWG	M6	3000mm
TD-SB175-2AWG-M8-3000-RB	SB175	175A	120A	2AWG	M8	3000mm

Note 1:

- To use the connector, one wire is needed with a pin and one wire is needed to connect to the Charger or AGV -> 2 wires need to be paired to use.
- The connector type (e.g., SB50A) must match in order to connect to each other, SB50A-SB50A, SB120A-SB120A, etc

BATTERY BMS



Example

Model	Jack connector	Dimension	Length
TD-BMS-SMR05-SMP05-2000-B	SMR-05 + SMP 05	22 AWG	2000mm
TD-BMS-SMR05-SMP05-3000-B	SMR-05 + SMP 05	22 AWG	3000mm

CABLE SELECTION GUIDE

No	Combined Use Cases	Description	
1	Charger 700w + Pin AGV	Pin : TD-SB50-10AWG-M6-1000-RB Charger: TD-SB50-10AWG-M8-1000-RB	/ 1Pc / 1Pc
2	Charger 1200w+ Pin AGV	Pin : TD-SB50-10AWG-M6-1000-RB Charger: TD-SB50-10AWG-M8-1000-RB	/ 1Pc / 1Pc
3	Charger 1700w (48V - 25A) Pin AGV	Pin : TD-SB512-10AWG-M6-1000-RB Charger: TD-SB120-10AWG-M8-1000-RB	/ 1Pc / 1Pc
4	Charger 1700w (24V - 50A) Pin AGV	Pin : TD-SB512-10AWG-M6-1000-RB Charger: TD-SB120-10AWG-M8-1000-RB	/ 1Pc / 1Pc
5	Charger 3000w (48V-50A) Pin AGV	Pin : TD-SB120-10AWG-M6-1000-RB Charger: TD-SB120-10AWG-M8-1000-RB	/ 2 Pcs / 2 Pcs
6	Charger 3000w (24V-90A) Pin AGV	Pin : TD-SB175-10AWG-M6-1000-RB Charger: TD-SB175-10AWG-M8-1000-RB	/ 1Pc / 1Pc

- Note 2** :
- A set includes 1 connector at the Charger end and 1 connector at the pin end -> requires 2 pieces
 - All screws on Bullmax pins are standardized M6 screws